

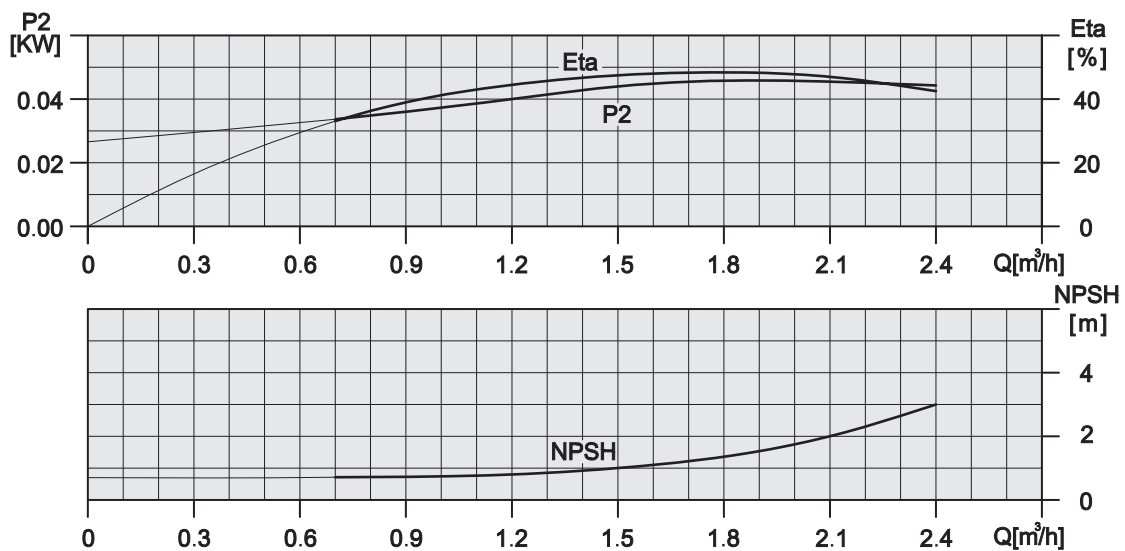
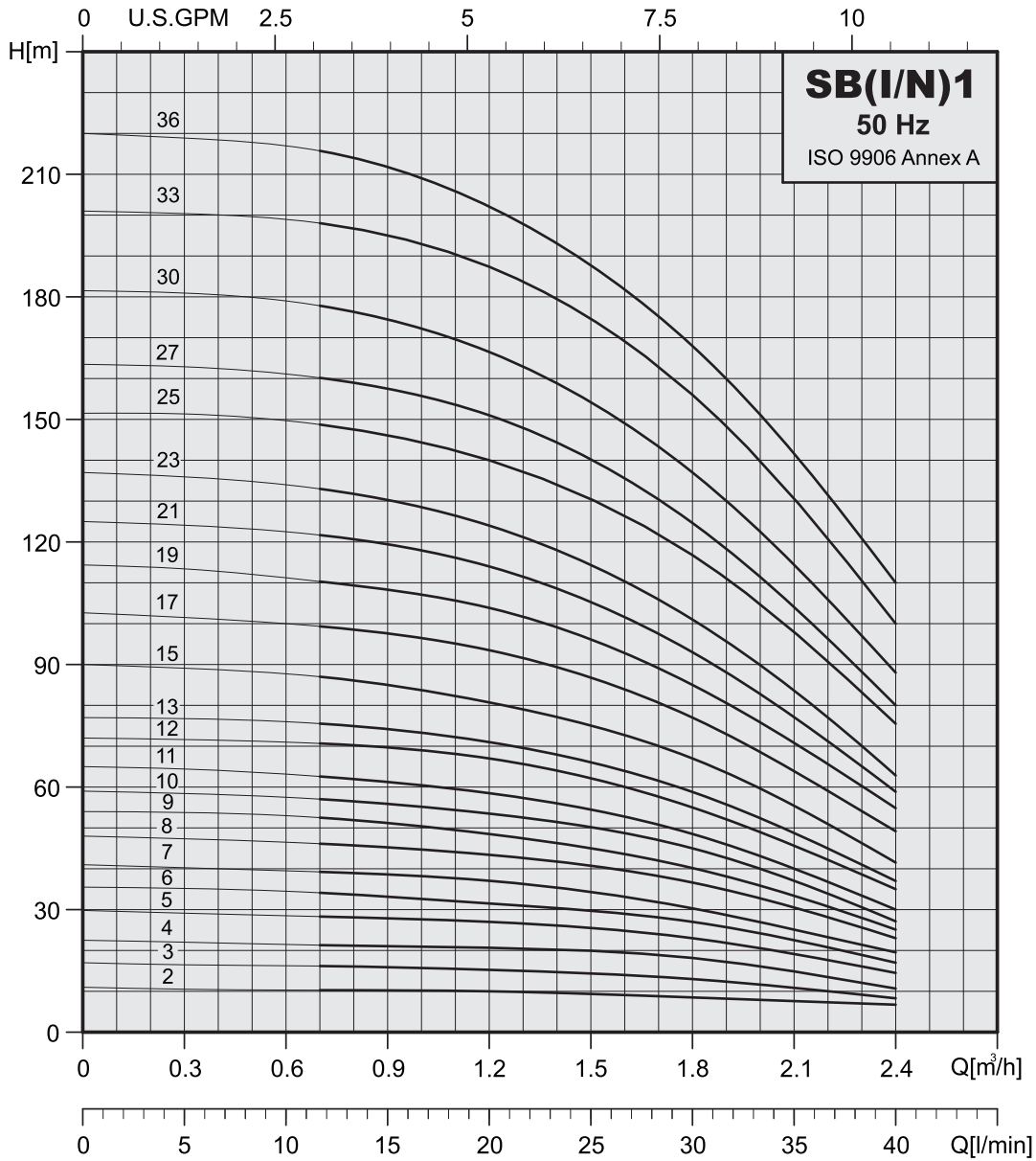
Contents

Vertical Multistage Centrifugal In-line Pumps



STAIRS PUMPS

SB, SBI, SBN 1



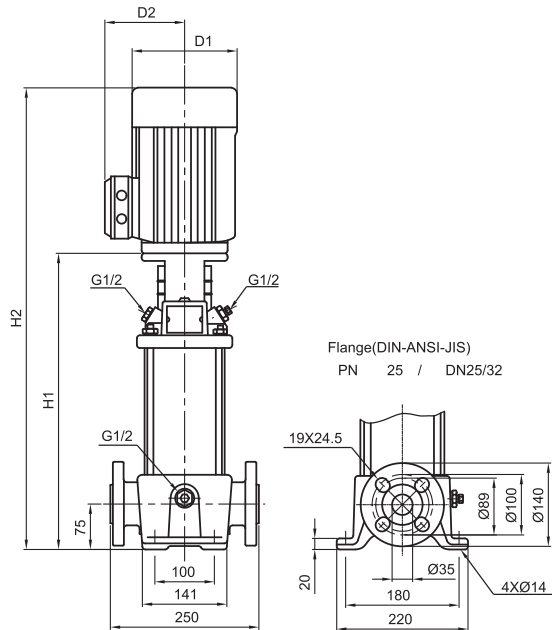
Contents

Vertical Multistage Centrifugal In-line Pumps



STAIRS PUMPS

Dimensions and weights – SB 1



Pump type	Motor P ₂ [kW]	SB				Net weight [kg] DIN flange
		Dimension [mm]		D1	D2	
		DIN flange				
H1	H2					
SB 1-2	0.37	279	470	141	109	23.0
SB 1-3	0.37	279	470	141	109	23.0
SB 1-4	0.37	297	488	141	109	23.0
SB 1-5	0.37	315	506	141	109	24.0
SB 1-6	0.37	333	524	141	109	24.0
SB 1-7	0.37	351	542	141	109	25.0
SB 1-8	0.55	369	560	141	109	26.0
SB 1-9	0.55	387	578	141	109	26.0
SB 1-10	0.55	405	596	141	109	26.0
SB 1-11	0.55	423	614	141	109	27.0
SB 1-12	0.75	447	678	141	109	29.0
SB 1-13	0.75	465	696	141	109	29.0
SB 1-15	0.75	501	732	141	109	30.0
SB 1-17	1.1	537	768	141	109	33.0
SB 1-19	1.1	573	804	141	109	34.0
SB 1-21	1.1	609	840	141	109	35.0
SB 1-23	1.1	645	876	141	109	36.0
SB 1-25	1.5	697	972	175	140	42.9
SB 1-27	1.5	733	1008	175	140	43.7
SB 1-30	1.5	787	1062	175	140	44.8
SB 1-33	2.2	841	1116	175	140	47.9
SB 1-36	2.2	895	1170	175	140	49.1

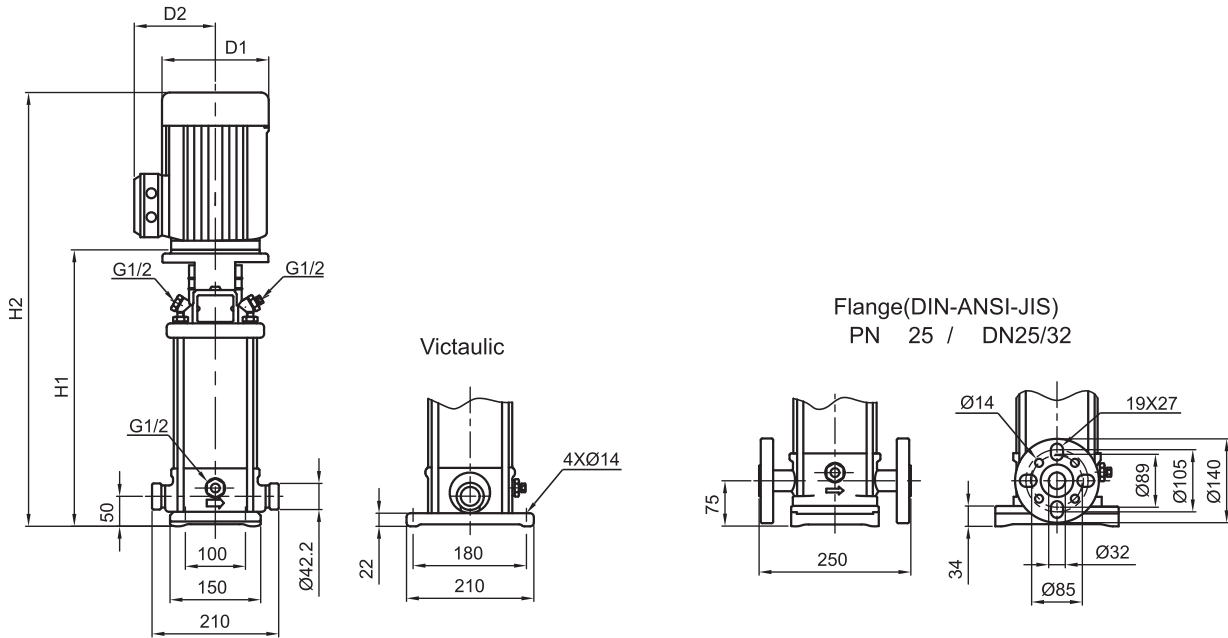
Technical data

Vertical Multistage Centrifugal In-line Pumps



STAIRS PUMPS

Dimensions and weights – SBI, SBN 1



Pump type	Motor	SBI,SBN							
		Dimension[mm]						Net weight[kg]	
	P ₂ [KW]	Victaulic		DIN flange		D1	D2	Victaulic	DIN flange
		H1	H2	H1	H2				
SBI,SBN1-2	0.37	257	448	282	473	141	109	16	20
SBI,SBN1-3	0.37	257	448	282	473	141	109	16	21
SBI,SBN1-4	0.37	275	466	300	491	141	109	17	21
SBI,SBN1-5	0.37	293	484	318	509	141	109	17	21
SBI,SBN1-6	0.37	311	502	336	527	141	109	18	22
SBI,SBN1-7	0.37	329	520	354	545	141	109	18	22
SBI,SBN1-8	0.55	347	538	372	563	141	109	19	23
SBI,SBN1-9	0.55	365	556	390	581	141	109	20	24
SBI,SBN1-10	0.55	383	574	408	599	141	109	20	24
SBI,SBN1-11	0.55	401	592	426	617	141	109	20	24
SBI,SBN1-12	0.75	425	656	450	681	141	109	23	27
SBI,SBN1-13	0.75	443	674	468	699	141	109	23	28
SBI,SBN1-15	0.75	479	710	504	735	141	109	24	28
SBI,SBN1-17	1.1	515	746	540	771	141	109	27	31
SBI,SBN1-19	1.1	551	782	576	807	141	109	28	32
SBI,SBN1-21	1.1	587	818	612	843	141	109	29	33
SBI,SBN1-23	1.1	623	854	648	879	141	109	30	34
SBI,SBN1-25	1.5	675	950	700	975	175	140	37.5	41.0
SBI,SBN1-27	1.5	711	986	736	1011	175	140	38.2	41.8
SBI,SBN1-30	1.5	765	1040	790	1065	175	140	39.4	42.9
SBI,SBN1-33	2.2	819	1094	844	1119	175	140	42.5	46.0
SBI,SBN1-36	2.2	873	1148	898	1173	175	140	43.6	47.2